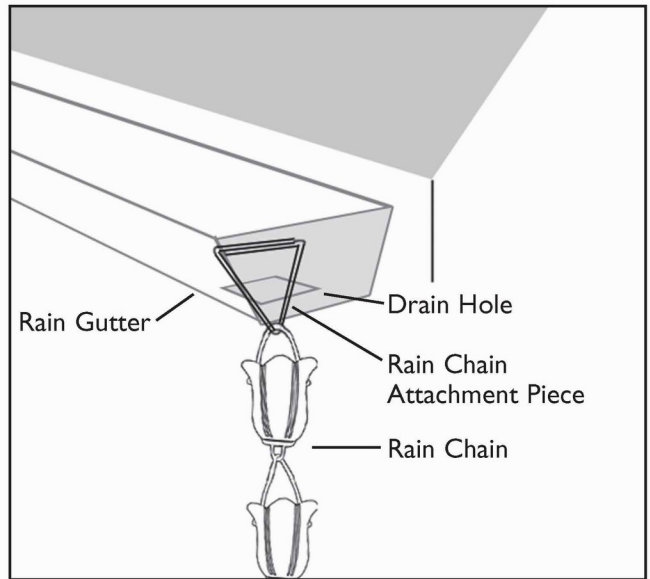
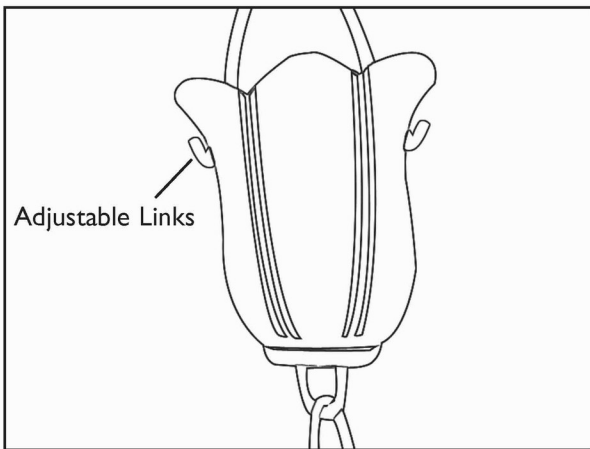


Installing Your Rain Chain

1. First, remove the downspout on your rain gutter. The attachment piece is designed to sit in the rain gutter over the drain hole where the downspout was and helps direct the water flow onto the chain.
2. Installation may require some slight bending of the rain chain attachment piece, so that it sits correctly in the gutter. The attachment piece should bend easily by hand or with pliers. From the bottom of the drain hole push the rain chain up through the hole. Bend it so that it fits onto your rain gutter drain hole.
3. The main tip of the attachment piece should be pointing straight down to the ground. It will look like an upside down triangle sitting in the rain gutter drain hole.



Hooking the rain chain to your rain gutter.



Detailed View of Rain Chain.

Installation and Usage Tips

- Use a rain gutter screen to prevent debris and leaves from entering your rain chain.
- Over time copper will gain a wonderful natural verdigris patina.

To shorten to your rain chain:

1. Decide how short you would like the rain chain to be.
2. To remove the piece, carefully unbend the two adjustment links on either side of the rain chain link you wish to remove.